

Product Description

- ◆ TTL Compatible Drive
- ◆ TRIAC Output
- ◆ Control Voltage: 5VDC, 12VDC, 24VDC
- ◆ Control Current: 10mA
- ◆ Load Current: 2A@24-280VAC
- ◆ Dielectric Strength: 2500Vrms
- ◆ PCB Mounted
- ◆ RoHS Compliant



Ordering Information

<b>KSA</b>	<b>240</b>	<b>D</b>	<b>2</b>	<b>R</b>	<b>24</b>	<b>T</b>	<b>(XXX)</b>
KSA Series	Load Voltage 240: 240VAC	DC Control	Load Current 2: 2Amp	Switching Mode Blank: Zero Crossing R: Random-on	Control Voltage 5: 5VDC 12: 12VDC 24: 24VDC I: 10mA	Pin Layout Blank: Standard T: T Type Footprint	Customized Code

Note: Part numbers available are listed in the table below.

Control Voltage	model	
5VDC	KSA240D2-5	KSA240D2-5T
	KSA240D2R-5	KSA240D2R-5T
12VDC	KSA240D2-12	KSA240D2-12T
	KSA240D2R-12	KSA240D2R-12T
24VDC	KSA240D2-24	KSA240D2-24T
	KSA240D2R-24	KSA240D2R-24T
I	KSA240D2-I	KSA240D2-IT
	KSA240D2R-I	KSA240D2R-IT

General Specifications

Input Specifications (Ta=25°C)		
Control Voltage Range	5	4-6VDC
	12	9.6-14.4VDC
	24	19.2-28.8VDC
Control Current Range	10-25mA	
Must Turn-on Voltage	5	4VDC
	12	9.6VDC
	24	19.2VDC
Must Turn-on Current	I	10mA
Must Turn-off Voltage	-5/ -12/ -24	1VDC
Must Turn-off Current	1mA	
Maximum Input Current	-5/ -12/ -24	25mA

General Specifications

Output Specifications (Ta=25°C)	
Load Voltage	24-280VAC
Maximum	600Vpk
Maximum Off-State Leakage Current@Rated Load	1.5mA
Minimum Off-State dv/dt@Maximum Rated Voltage	200V/μs

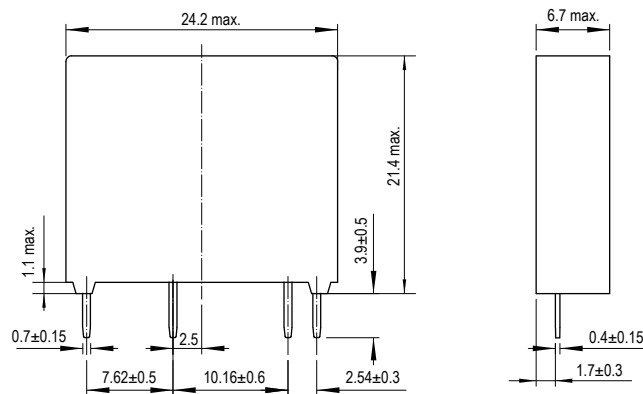
Output Specifications (Ta=25°C)	
Load Current	0.1-2A
Maximum 1 Cycle Surge Current	35Apk
Maximum I <sup>2</sup> t for Fusing (10ms)	6.1A <sup>2</sup> s
Maximum On-State Voltage Drop@Rated Current	1.5Vrms
Maximum Turn-on Time	Zero Crossing : 1/2 cycle+1ms; Random-on: 1ms
Maximum Turn-off Time	1/2cycle+1ms
Operational Frequency Range	47-63Hz
Minimum Power Factor (@Maximum load)	0.5

General Specifications (Ta=25°C)	
Dielectric Strength (50/60Hz)	2500Vrms
Minimum Insulation Resistance (@500VDC)	1000MΩ
Ambient Temperature Range	-30°C ~ +80 °C
Storage Temperature Range	-30°C ~ +100 °C
Weight (Typical)	6g

Applications

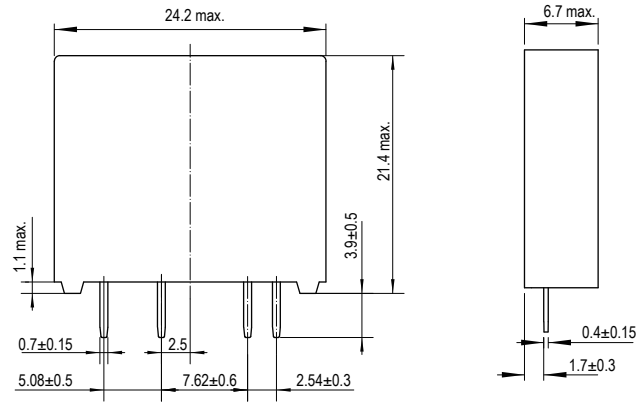
Suitable for control electromagnetic valve, electric machine, and etc.

Outline Dimensions



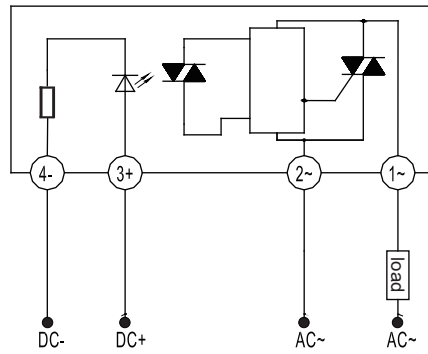
Standard Footprint

Outline Dimensions

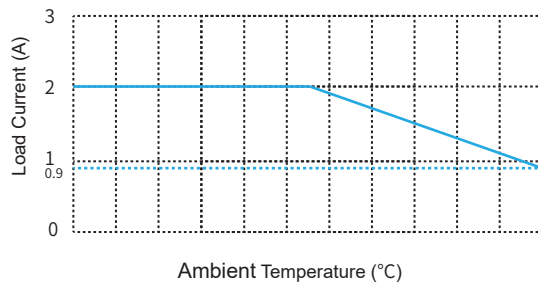


T Type Footprint

Wiring Diagram



Thermal Derating Curve



### General Notes

1. Soldering must be finished within 10 seconds at 260°C, or finished within 5 seconds at 350°C. Otherwise it may cause damage to the relay.
2. Terminal polarity must be observed. Otherwise it may cause damage to the relay.
3. When ambient temperature is above 25°C, the maximum load current decreases. See thermal derating curve.

### ! Warnings

1. The product's side panels may be hot, allow the product to cool before touching.
2. Disconnect all power before installing or working with this equipment.
3. Verify all connections and replace all covers before turning on power.

### Certification Standards

Certification	Test standard	Certificate Number
UL	UL508	E471925
TUV	EN62314	B 089797 0016